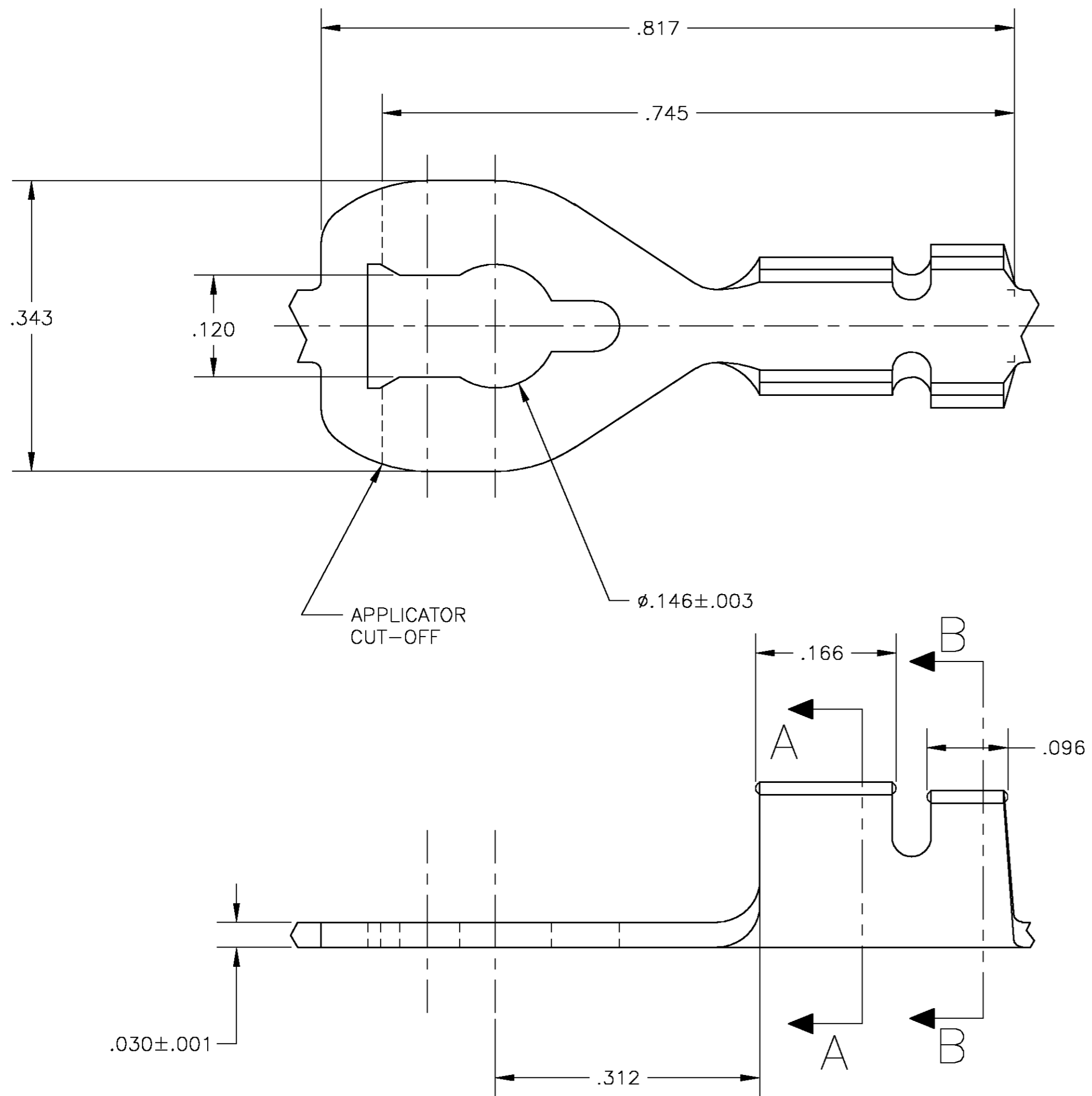
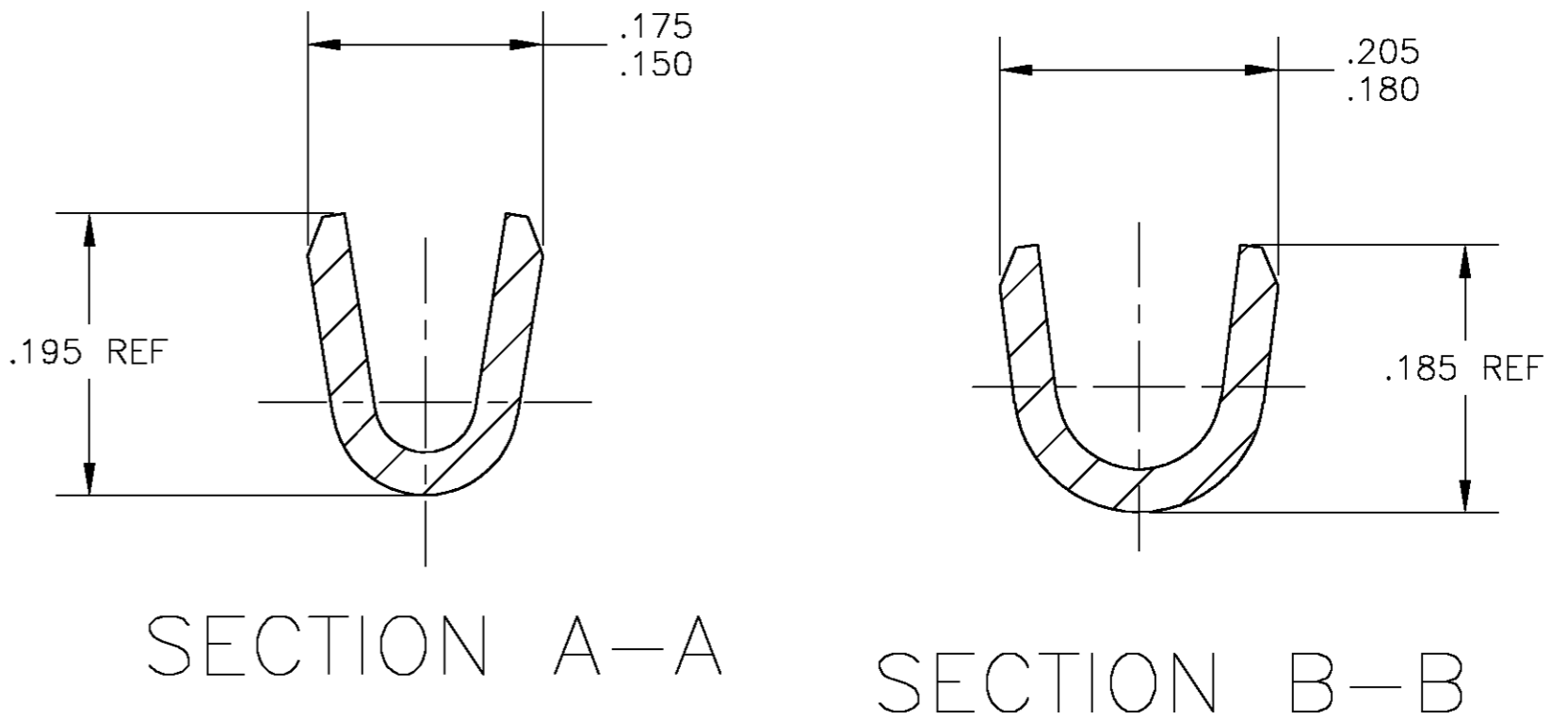


THIS DRAWING IS UNPUBLISHED. RELEASED FOR PUBLICATION
 © COPYRIGHT 1964 BY TYCO ELECTRONICS CORPORATION. ALL RIGHTS RESERVED.

LOC	DIST	REVISIONS					
AF	50	P	LTR	DESCRIPTION	DATE	DWN	APVD
		R		REDRAWN PER OG3A-0678-03	03NOV03	MF	DD



- 1 CONTINUOUS STRIP ON REELS.
- 2 WIRE RANGE: #18-#14 AWG.
- 3 INSULATION RANGE: .100-.140 DIA.



	.000080 MIN TIN PLATE	60187-2
OBSOLETE		60187-1
	FINISH	PART NUMBER

THIS DRAWING IS A CONTROLLED DOCUMENT.		DWN 03NOV2003 MICHAEL S. FEHER	Tyco Electronics Corporation Harrisburg, PA 17105-3608	
DIMENSIONS: INCHES		CHK 03NOV2003 DONALD F. DECKER		
TOLERANCES UNLESS OTHERWISE SPECIFIED:		APVD 03NOV2003 DONALD F. DECKER	NAME TERMINAL, SPRING SPADE	
0 PLC ± - 1 PLC ± - 2 PLC ± - 3 PLC ± .015 4 PLC ± - ANGLES ± 1°		PRODUCT SPEC	SIZE CAGE CODE DRAWING NO	
MATERIAL H03 BRASS		FINISH SEE TABLE	RESTRICTED TO	
		WEIGHT -	A2 00779 C=60187	
		CUSTOMER DRAWING	SCALE 8:1	SHEET 1 OF 1 REV R